



## Set of Hot and Cold 1/2" Sidevalves

ROHL Country Bath Collection

**A1411LM** (Metal Levers)

**A1411LP** (Porcelain Levers)

**A1411XM** (Cross Handles)

**A1411LH** (Hex Metal Levers)

**A1411LC** (Swarovski® Crystal Levers)

**A1411XC** (Swarovski® Crystal Cross Handles)

### FEATURES

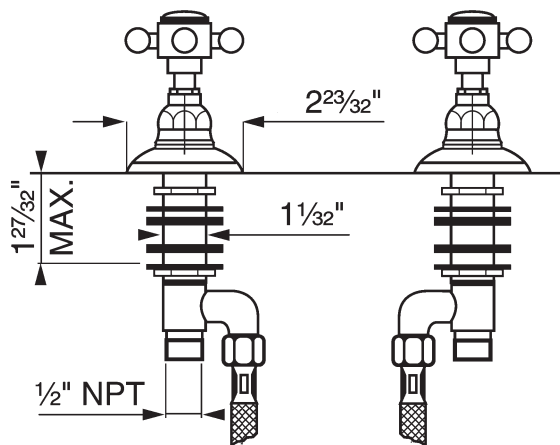
- For lavatory or replacement bidet sidevalves
- 1/2" sidevalves
- 2 x 1 3/8" cutouts
- 1/4-turn ceramic valves

### COLORS/FINISHES

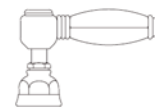
- Polished Chrome
- Polished Nickel
- Satin Nickel
- Tuscan Brass
- Inca Brass

### WARRANTY

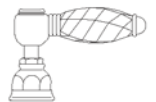
- Limited Lifetime\*
- \* No Warranty on Tuscan Brass Finish (TCB)



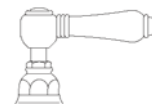
A1411XM



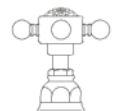
A1411L4



A1411LC



A1411LM &  
A1411LP



A1411XC

# ROHL

Authentic Luxury for Kitchen and Bath®

[www.rohlhome.com](http://www.rohlhome.com)

## A1411 Spare Parts

